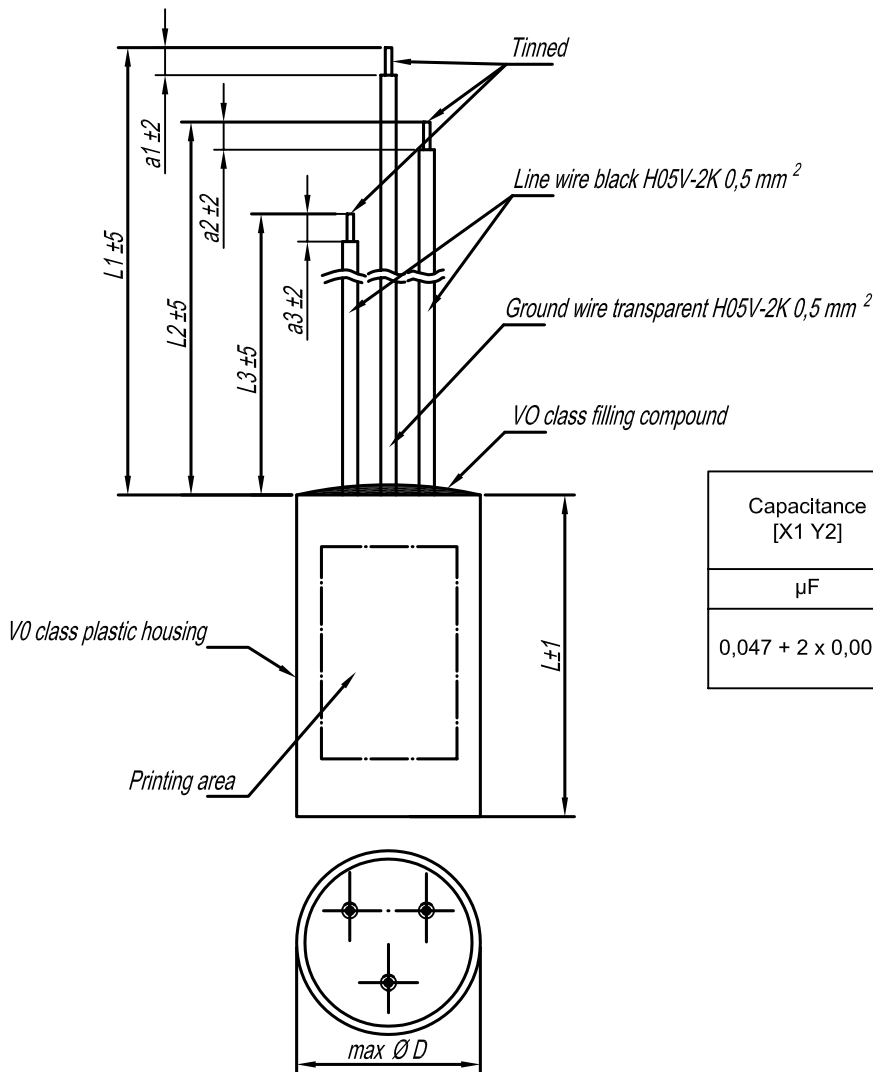
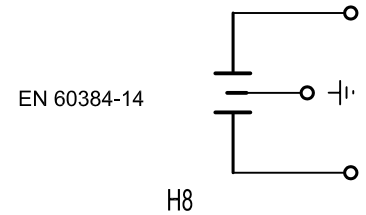


Interference Suppression Capacitor



MIFLEX
KSPpz-10-2 X1Y2
0,1 μ FM + 2x2700pFM
250VAC 40/100/21C



Capacitance [X1 Y2]	Ver.	Dimensions							
		D	L	L1	a1	L2	a2	L3	a3
μF		mm	mm	mm	mm	mm	mm	mm	mm
0,047 + 2 x 0,0027	F	14	37	50	7	50	7	50	7
	K	14	37	65	7	65	7	65	7

TECHNICAL DATA

Rated capacitance:

Capacitance tolerance: $\pm 20\%$

Rated voltage: 250Vac

Rated frequency: 50+60Hz

Climatic category: 40/100/21C

Discharge resistor: - -

100% Voltage test:

kl.X1 - 1625Vdc - 2s
kl.Y2 - 2800Vdc - 2s

Standards: EN 60384-14

Application:

KSPpz type RFI capacitors are designed to suppress electromagnetic interference in electrical devices with rated voltage 250V AC with a nominal frequency of $50 \pm 10 \text{ Hz}$ and the range of operating temperatures covered by the climatic category of the filter.

This product fulfils the requirements of the RoHS Directive (2011/65/EC)

 **MIFLEX SA**

ZAKŁADY PODZESPOŁÓW RADIOWYCH
99-300 KUTNO, ul.GRUNWALDZKA 3
Telefon: +48 24 355 11 00
Fax: +48 24 355 11 88
e-mail: miflexsa@miflex.com.pl

Indeks - A12..

Revision date
25.06.2020

Page
1/1