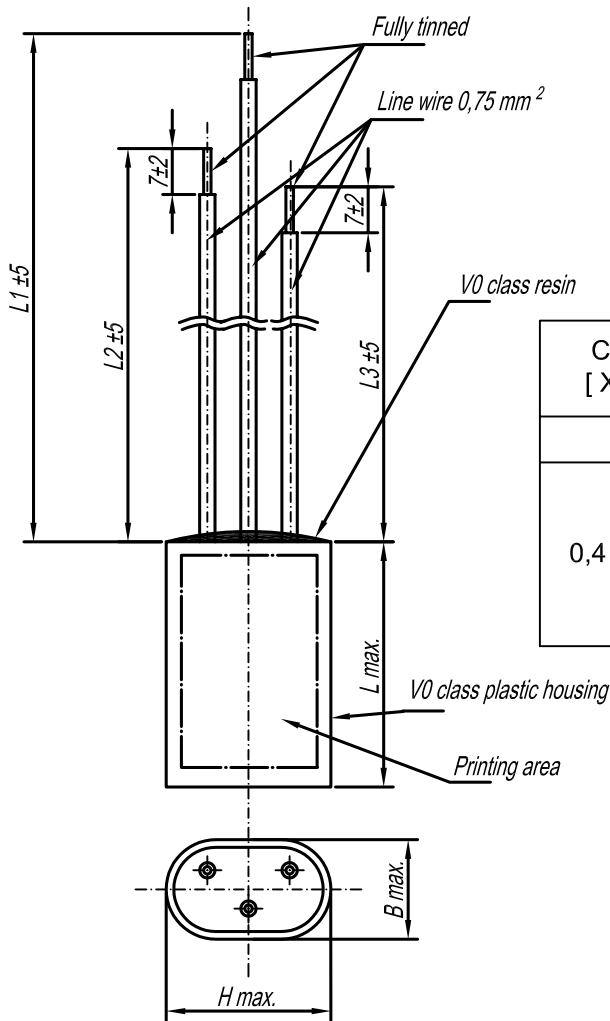


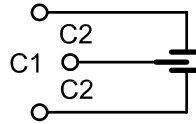
## Interference Suppression Capacitor



Example of printing

**MIFLEX**

**KSPPPzp-024 X2Y2**  
**0,4μFM + 2 x 2,5nFM**  
**250V~ 40/085/21C**  
**EN 60384-14 K3**



Capacitance [ X2 + 2 x Y2 ]	Ver.	Dimensions					
		B	H	L	L1	L2	L3
[μF]		mm	mm	mm	mm	mm	mm
0,4 + 2 x 0,0025	A	16	30	44	110 b	110 b	130 w
	B				270 b	270 b	270 gy
	C				50 b	50 b	70 w
	D				110 b	110 b	270 gy
		Terminal color		w - white			
				b - black			
				gy - green-yellow			

TECHNICAL DATA	
Rated capacitance:	acc. to table
Capacitance tolerance:	±20%
Rated voltage:	250Vac
Rated frequency:	50±60Hz
Climatic category:	40/085/21C
Discharge resistor:	-
100% Voltage test:	cl.X2 - 1625Vdc - 2s
Standards:	EN 60384-14

**Description:**  
 KSPPPzp type RFI capacitors are designed to suppress interferences in electronic devices with the rated voltage of 250VAC with rated frequency of 50±10Hz and the temperature range acc. to capacitor climatic category.

**Note:**  
 This product fulfils the requirements of the RoHS Directive (2011/65/EC).

 **MIFLEX SA**

ZAKŁADY PODZESPOŁÓW RADIOWYCH  
 99-300 KUTNO, ul.GRUNWALDZKA 3  
 Telefon: +48 24 355 11 00  
 Fax: +48 24 355 11 88  
 e-mail: miflexsa@miflex.com.pl

Index- IA24...

Revision date  
25.06.2020

Page  
1/1