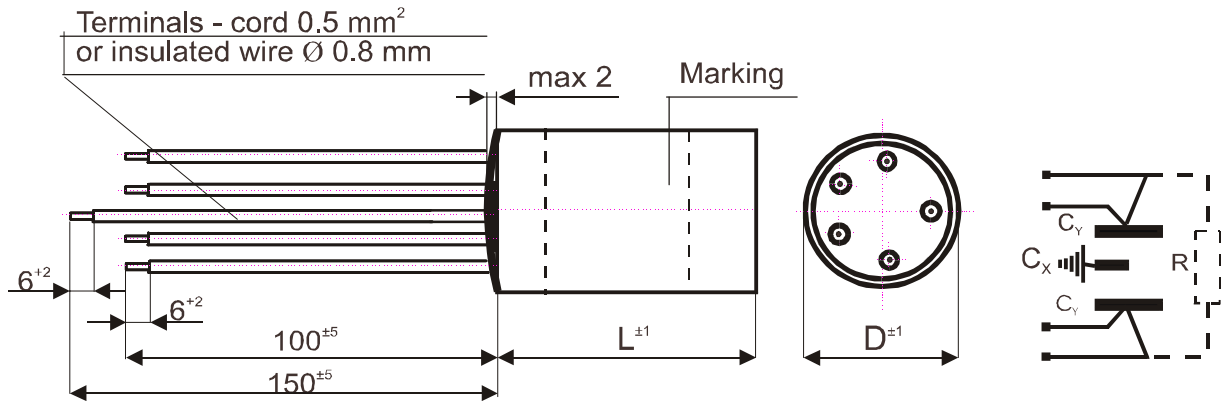


KSPpz - 10-1

INTERFERENCE SUPPRESSION CAPACITORS OF X1Y2 CLASS



APPLICATION

The X1Y2 class interference suppression capacitors KSPpz-10-1 are intended for use in circuits with the voltage not higher than 250V and with the frequency of 50Hz.

The capacitor housing is made of plastic.

Technical parameters of the KSPpz-10-1 capacitors comply with the requirements of EN 60384-14.

SAFETY APPROVALS

The KSPpz-10-1 capacitors have VDE certificate EN 60384-14.

TECHNICAL DATA

Climatic category	40/100/21/C
Rated capacitance	see table
Capacitance tolerance	$\pm 20 \%$
Rated current (I_R)	6.3 A
Rated voltage (U_R)	250V AC, 50 Hz
Insulation resistance (R_{ins})	$\geq 6000 \text{ M}\Omega$
Electric strength:	
X1 class	1625V DC / 2 sec.
Y2 class	2000V AC / 2 sec.
between terminals connected together and case	2500V AC / 2 sec.

Specifications:

WT - 00/MIFLEX/KSPpz

 **MIFLEX S.A.**

ZAKŁADY PODZESPOŁÓW RADIOWYCH
99-300 KUTNO, UL. GRUNWALDZKA 3, POLAND

Tel.: (48) (24) 355 11 00+02

Fax: (48) (24) 355 11 88

E-mail: miflex@miflex.com.pl

Revision date: 05.05.2008

KSPpz - 10-1

INTERFERENCE SUPPRESSION CAPACITORS OF X1Y2 CLASS

Rated capacitance		Dimensions		Remarks
C (X1)	2 x C (Y2)	D	L	
μF	pF	mm		
0.022	2 x 2 700	11	32	x
0.027	2 x 2 700			x
0.047	2 x 2 700	13.5	37	
0.047	2 x 4 700	14	32	x
0.068	2 x 2 700		x	
0.068	2 x 4 700		x	
0.1	2 x 2 700		16	37
0.1	2 x 4 700	14	x	
0.1	2 x 10 000	16		
0.1	2 x 15 000			
0.1	2 x 27 000	18	42	x
0.15	2 x 2 700	16	37	
0.15	2 x 4 700			
0.15	2 x 10 000	18		x
0.15	2 x 15 000			x
0.22	2 x 2 700	20	42	x
0.22	2 x 4 700			x
0.22	2 x 10 000			
0.22	2 x 15 000			
0.22	2 x 22 000	22		x
0.22	2 x 27 000	22		x
0.27	2 x 2 700	20	42	
0.27	2 x 4 700	22		x
0.27	2 x 10 000			x
0.27	2 x 15 000			x
0.27	2 x 22 000			x
0.47	2 x 27 000	30		x

Remarks:

1. Different length of terminals, its stripped parts and length tolerances are allowed (according to customer's requirements).
2. Stripped parts of terminals can be:
 - tinned,
 - not tinned,
 - with connectors of different type.
3. A resistor can be attached to the capacitor.
4. Capacitors with another value of capacitance can be manufactured provided that it is within the range given in the table.
5. "x" – production is subject to prior agreement.

 **MIFLEX S.A.**

ZAKŁADY PODZESPOŁÓW RADIOWYCH
99-300 KUTNO, UL. GRUNWALDZKA 3, POLAND

Tel.: (48) (24) 355 11 00+02

Fax: (48) (24) 355 11 88

E-mail: miflex@miflex.com.pl

Revision date: 05.05.2008